

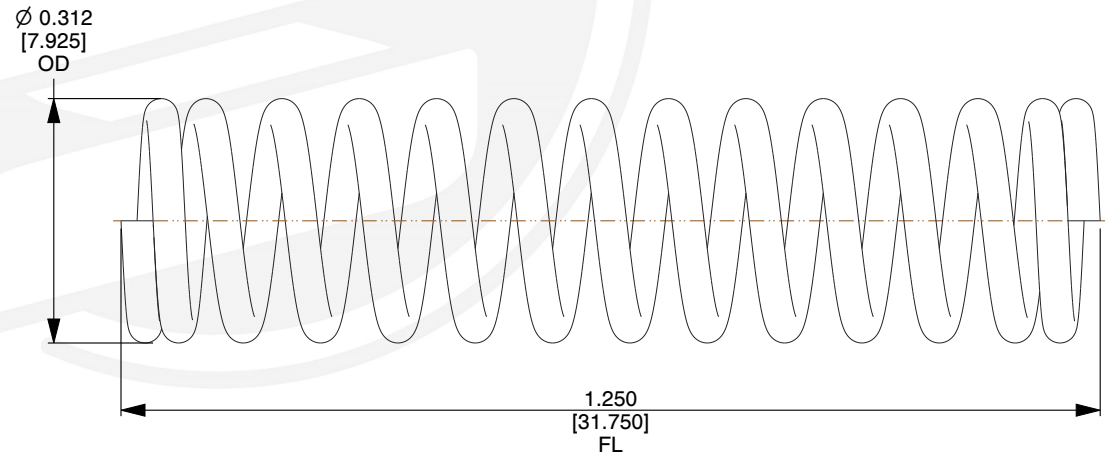
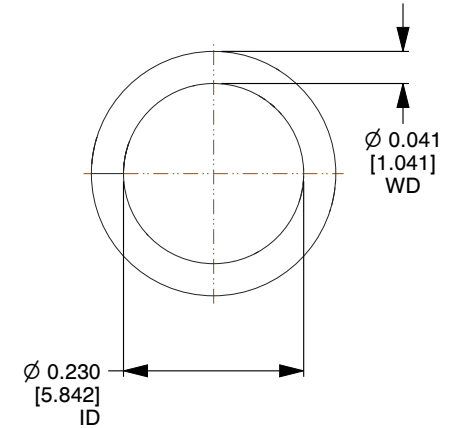


Part Name:	Date: 01/30/2023
Part #: in	PC041-312-14000-HD-1250-C-N-IN 
Part #: mm	PC1041-7925-14000-HD-31750-C-N-MM 
Spring Type: Compression Spring	End Type: Closed & Squared
Finish: None	Direction of Wind: Right
Material: Hard Drawn ASTM A227	Spring Index (I): 6.610
Weight / M: 0.000 Lbs	Length of W: 0.000 in

Physical Dimensions	IN	MM	Tolerances (in)
Wire Diameter (WD)	0.041 in	[1.041 mm]	
Outer Diameter (OD)	0.312 in	[7.925 mm]	
Inner Diameter (ID)	0.230 in	[5.842 mm]	
Free Length (FL)	1.250 in	[31.750 mm]	
Active Coils (AC)	12.000	[12.000]	coil
Total Coils (TC)	14.000	[14.000]	coil
Solid Height (SH)	0.615 in	[15.621 mm]	

Spring Rate (K)	0.000 lbs/in	0.000 N/mm	
Max Load (ML)	0.000 lbf	0.000 N	
Max Travel (MT)	0.000 in	0.000 mm	



Notes

Scale: 4.080

This file and any associated information and specifications are provided for reference and evaluation purposes only, and is subject to change without notice. Access Spring makes no representations, warranties or guarantees as to the appropriateness, accuracy, completeness, or suitability for any purpose, of the file, information or specifications. You are solely responsible for the use of the file, information or specification.

This Drawing is the property of Access Spring. It may contain confidential, proprietary information, that is Access Spring property. Do not disclose to or duplicate for others except as authorized by Access Spring.